



## Food slicers 300 mm Vertical Slicer, belt transmission

ITEM # \_\_\_\_\_

MODEL # \_\_\_\_\_

NAME # \_\_\_\_\_

SIS # \_\_\_\_\_

AIA # \_\_\_\_\_



**600522 (DMSC35B)**

Vertical slicer 300mm, belt transmission (230V; 1+N; 50)

### Short Form Specification

Item No. \_\_\_\_\_

Medium duty slicer for Hotel and Catering  
Ideal for slicing raw meat, salami and pressed meat.  
Base and main components in high polished satin finished anodized aluminium for long lasting, hygiene and ease of cleaning. The blade is in chrome force steel with blade guard ring for added protection. Model equipped with cut thickness adjusting knob, top mounted sharpener, cover blade and product deflector - easily removable for cleaning. Ventilated blade drive motor. Poly V-belt drive system for quiet operation and economical service. Removable carriage system permanently lubricated with automatic clutch. IP42 water protection.  
Supplied with blade removal tool.

### Main Features

- Manual Vertical slicer.
- Cut thickness-adjusting knob (millimeter adjustment).
- Belt driven transmission.
- Ventilated blade drive motor designed for continuous use, with Poly V-belt drive system for quiet operation and economical service.
- Removable carriage system permanently lubricated with automatic clutch.
- Top-mounted stone blade sharpener and cover blade easy to remove.
- Supplied with blade removal tool.
- Highest degree of safety in functioning, cleaning and maintenance.
- Cutting capacity for 300 mm model:
  - square: 220x220 mm
  - rectangular: 230x220 mm
  - round: 220 mm
- Slice thickness from 0 to 15 mm.

### Construction

- Compact design.
- Made in high polished satin finished anodized aluminium. This procedure guarantees high hygienic standards of the parts interested by the cut and resistance to acids, salts and oxidation processes.
- Plexiglass safety hand guard as standard.
- IP42 water protection.
- IP67 complete waterproof.
- The blade is made of chrome forged steel with blade guard ring for added protection.

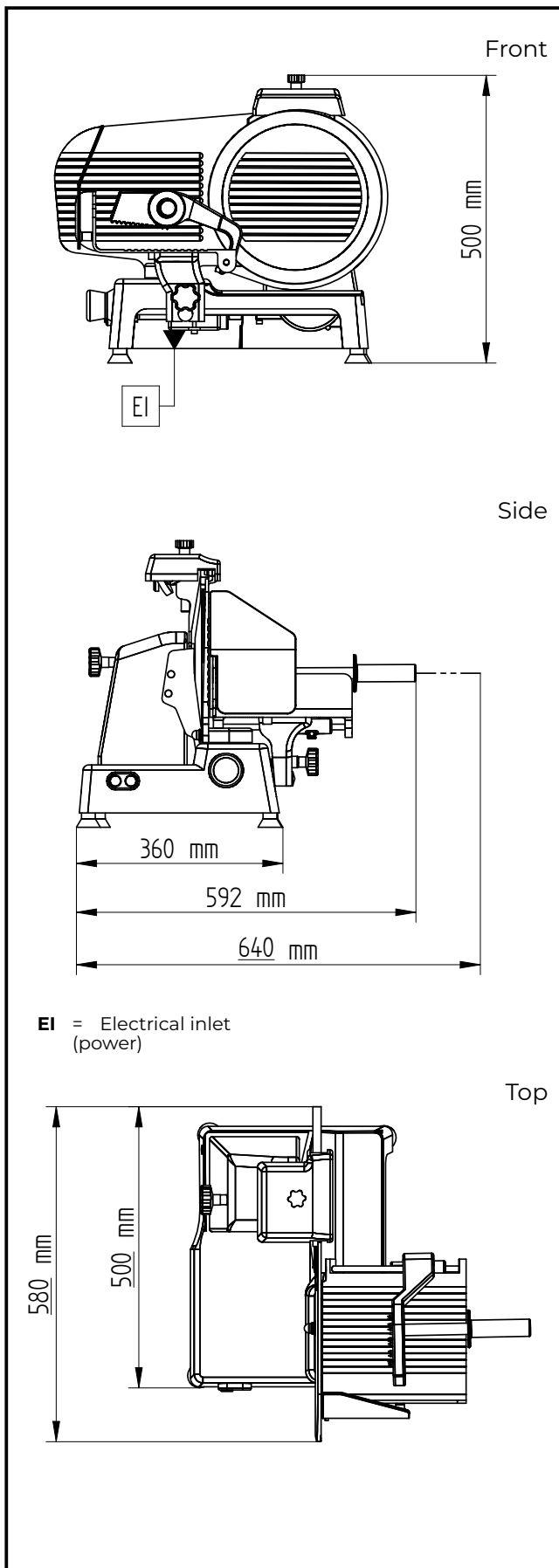
### Optional Accessories

- 300 mm bread blade for vertical belt slicer PNC 653147 □

APPROVAL: \_\_\_\_\_



# Food slicers 300 mm Vertical Slicer, belt transmission



Electric

**Supply voltage:**

**600522 (DMSG35B)**

230 V/1N ph/50 Hz

**Total Watts:**

0.2 kW

**Key Information:**

**External dimensions,  
Width:**

650 mm

**External dimensions,  
Depth:**

630 mm

**External dimensions,  
Height:**

540 mm

**Net weight (kg):**

46

EI = Electrical inlet  
(power)

Food slicers  
300 mm Vertical Slicer, belt transmission

The company reserves the right to make modifications to the products  
without prior notice. All information correct at time of printing.



2023.11.17